

DEIMOS BT



DEIMOS BT P925178 00001



Incorporated control board: QSC
(page 66)

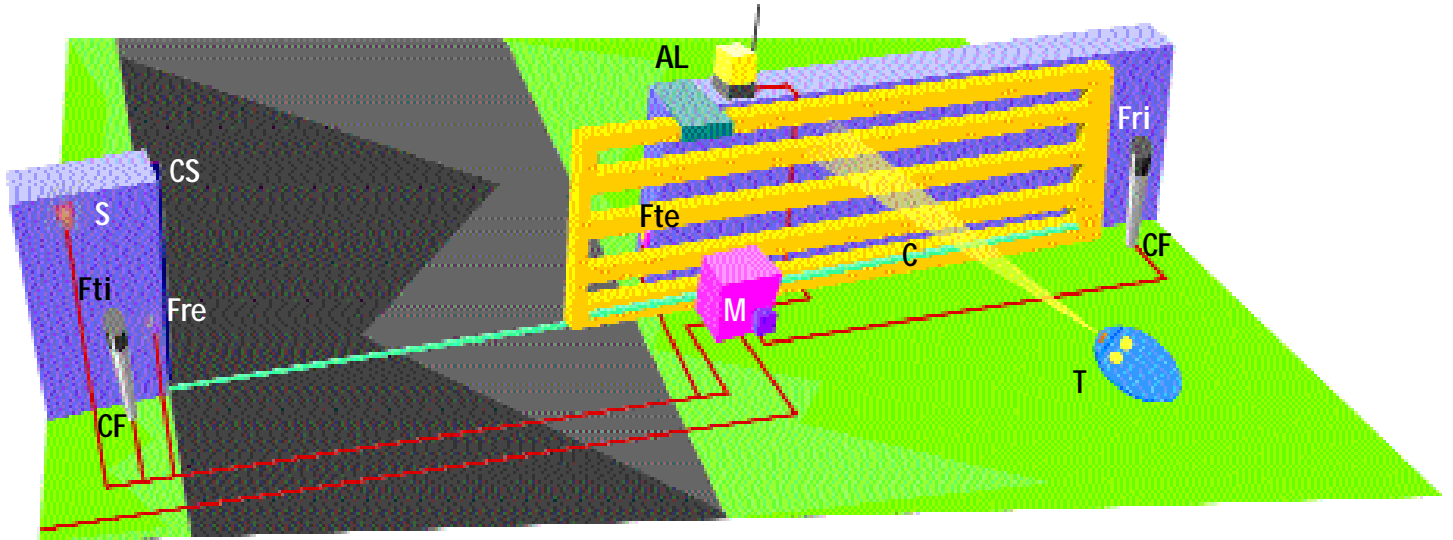
Available as a kit: DEIMOS BT KIT
(page 82)

- Low voltage irreversible gearmotor, which offers great versatility and extreme safety.
- Design and practicality: great aesthetic innovation and improved guard solidity.
- Safe and simplified release manoeuvre by means of the new ergonomic knob.
- Anti-squash safety provided by a special electronic device adjustable both on opening and closing, and inverts the direction in case of obstacles.
- In case of power supply failure, operation is guaranteed by a back up battery unit (SB BAT) inside the motor casing. Supplied upon request.
- Easier access to the control panel provided by the control board located on the front.
- Built-in double-channel rolling code receiver.
- Control panel prearranged for the EELink protocol.



| Operator | DEIMOS BT |
|----------------------------|--------------------------------|
| Single-phase power supply | 230 V ± 10%, 50 Hz |
| Motor | 24 Vdc |
| Absorbed power | 70 W |
| Max. leaf weight | 5000 N (~500 kg) |
| Output revolutions | 79 min ⁻¹ |
| Pitch | 4 mm (14 teeth) |
| Leaf speed | 12 m/min |
| Impact reaction | electronic torque limiter |
| Manual manoeuvre | mechanical release with knob |
| No. manoeuvres in 24 hours | 100 |
| Control panel | QSC |
| Type of limit switch | electromechanical or inductive |
| Environmental conditions | from -15° to + 60°C |
| Degree of protection | IP 24 |
| Operator weight | 70 N (~ 7 kg) |
| Dimensions | see drawing |

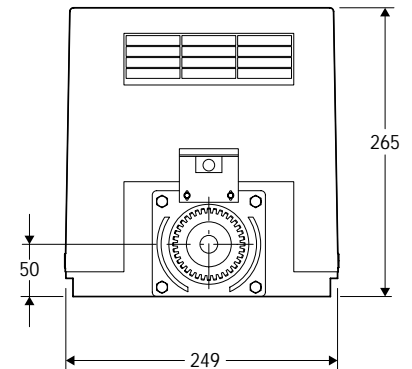
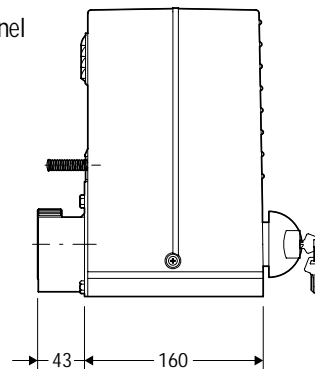
Electromechanical automation for rack sliding gates weighing up to 500 kg, residential use



Example of installation

Dimensions

- M operator DEIMOS BT (P925178 00001) 24Vdc with built-in control panel and rolling code receiver
- T double-channel rolling code transmitter, Mitto 2 (D111453 00009)
- Ftx-Frx pair of photocells, Cellula 130 (P111273)
- CF pair of posts, CC130 (P903005)
- AL blinker Lampo PA 24V (D113638 00001) with antenna SL433 (D111652)
- S key selector, Intro (P121011)
- C plastic rack, CPZ (D221037)
- CS safety edge



• For system layout and installation conditions, refer to the standards and laws in force in the country of installation.

Main characteristics

Irreversible type electromechanical operator for the automation of sliding gates for residential use

- DEIMOS BT is provided with a control board placed at the front of the motor
- release knob
- electronic torque limiter
- back up battery kit (optional)
- integrated double-channel rolling-code receiver
- Adjustable slow down (QSC D board only)
- Main specifications: supply 230 V \pm 10% 50Hz
- motor 24V dc
- power 70W
- leaf speed 12m/min
- max leaf weight 5000N.

